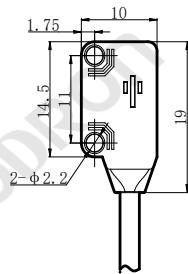
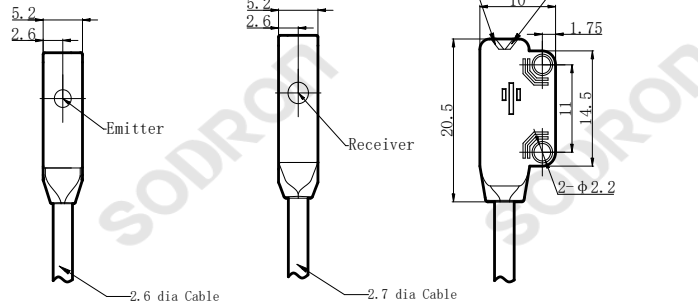


Dimension

Emitter



Receiver



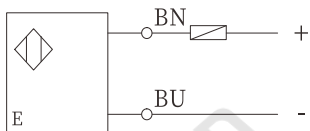
Model	Technical parameters			
PF10S-T100BNOR(E) PF10S-T100BNCR(E) PF10S-T100BPOR(E) PF10S-T100BPCR(E)	Sensing method Through beam			
	Model	NPN PF10S-T100BNOR(E) PNP PF10S-T100BPOR(E)	PF10S-T100BNCR(E) PF10S-T100BPCR(E)	
	Sensing distance	100cm		
	Standard target	> Φ2mm (Opaque object)		
	Output mode	Dark-ON	Light-ON	
	Light source	630nm Red LED		
	Supply power	DC 12 ~ 24V ±10% , impulse (P-P) < 10%		
	Residual Voltage	< 1V (Load Current: ≤50mA)		
	Current consumption	< 15mA		
	Load Current	≤50mA		
	Circuit protection	Power reverse direction connection protection, short-circuit protection		
	Response time	< 1ms		
	Indicator light	Output LED: Orange LED, Power/stable: Green LED		
	Connection	Cable 2m		
	Ambient temperature	Work: -25 ~ +55°C; Store: -30 ~ +70°C ((No dew condensation or icing allowed)		
	Ambient humidity	Work: 35 ~ 85%RH, Store: 35 ~ 95%RH, (No dew condensation)		
	Ambient illumination	Sunlight :10,000Lx, lamplight:3,000Lx		
	Withstand Voltage	1000 VAC, 50/60 Hz, 1 min.		
	Insulation resistance	> 20MΩ (DC500V megger) between current-carrying parts and case		
	Anti-vibration	10~55Hz double-amplitude 1.5mmX,Y,Z 2h		
	Anti-impact	500m/S ² X, Y,Z , directions for 3 times		
	Protection degree	IEC IP67		
	Material	Housing	PBT	
		Lens	PC	
	Weight	Weight: Approx. 21 g per sensor unit (Tx/Rx); 45 g total packaged weight.		

Product Features

- Visible red light source for easy alignment.
- Compact size for mounting in limited spaces.
- IEC IP67

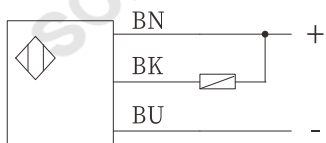
Connection

Transmitter



Receiver

NPN



PNP

